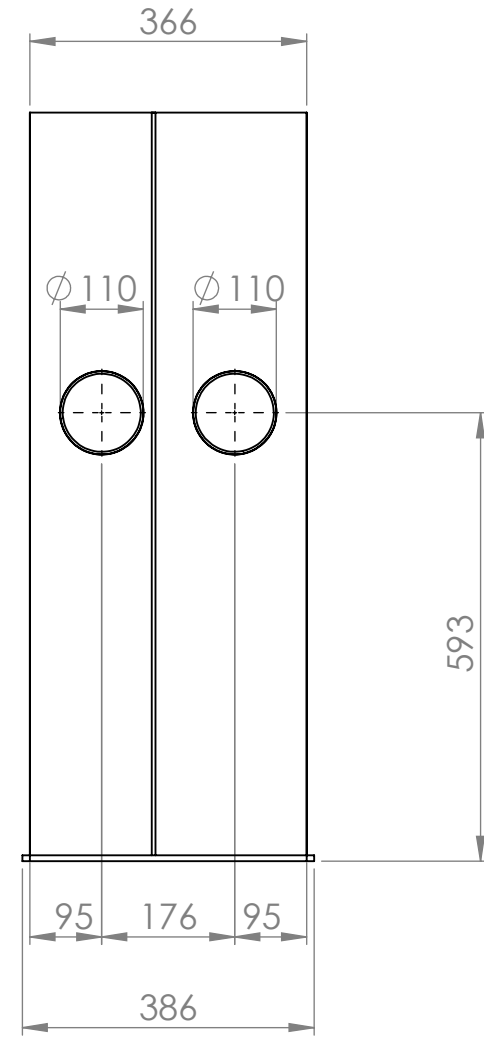
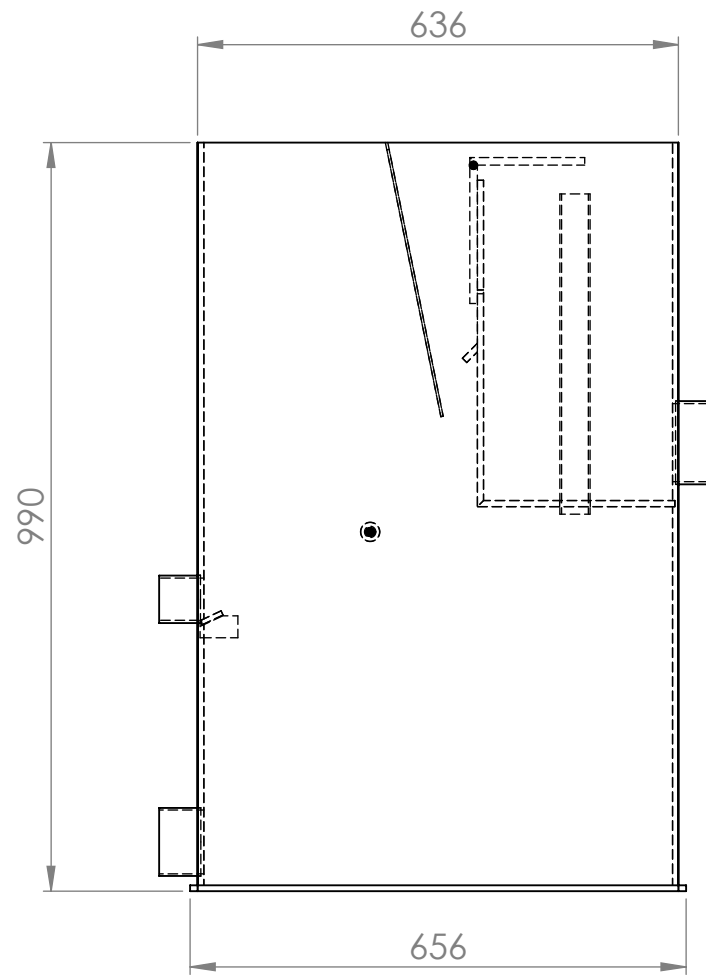
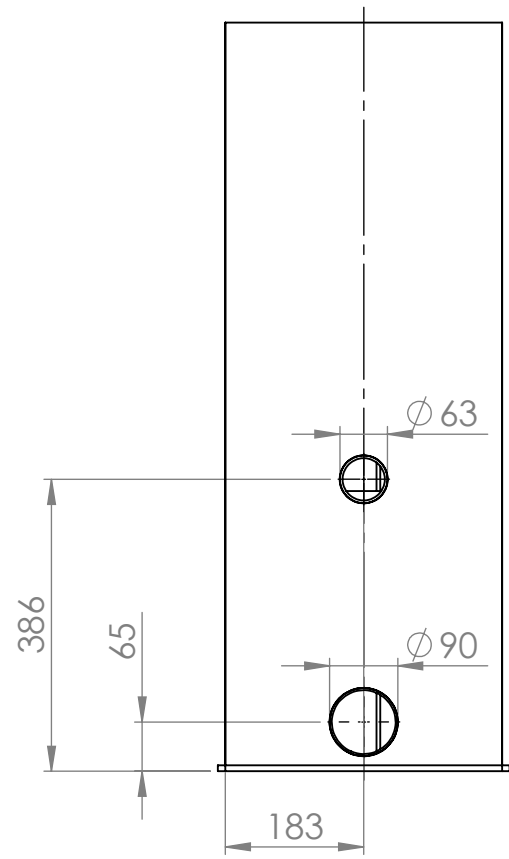


Copyright in bezit van BXS-BV, te Sprang Capelle. Vermenigvuldiging of mededeling aan derden in welke vorm dan ook, is zonder schriftelijke toestemming van de eigenaars niet geoorloofd.

Copyright owned by BXS-BV, Sprang Capelle. Reproduction or disclosure to third parties in any form whatsoever, is not allowed without the written consent of the proprietors.



AQUA[®]
FORTE

PROFESSIONAL
POND
PRODUCTS